

SSD5055-I V1

50.5" Resizing LCD, 1000 nits LED backlight, 3840 x 536 ultra-wide aspect ratio 16:2.2

The SSD5055-I is a 50.5 inch color TFT-LCD display with a special aspect ratio of 16:2.2 and wide resolution of 3840 x 536. It is a part of Litemax's Spanpixel series designed for high brightness with its 1000 nits and its power efficiency LED backlight. This unique aspect ratio and sunlight readability make it great for digital signage, public transportation, exhibition halls, department stores, vending machines, and other applications.



KEY FEATURES

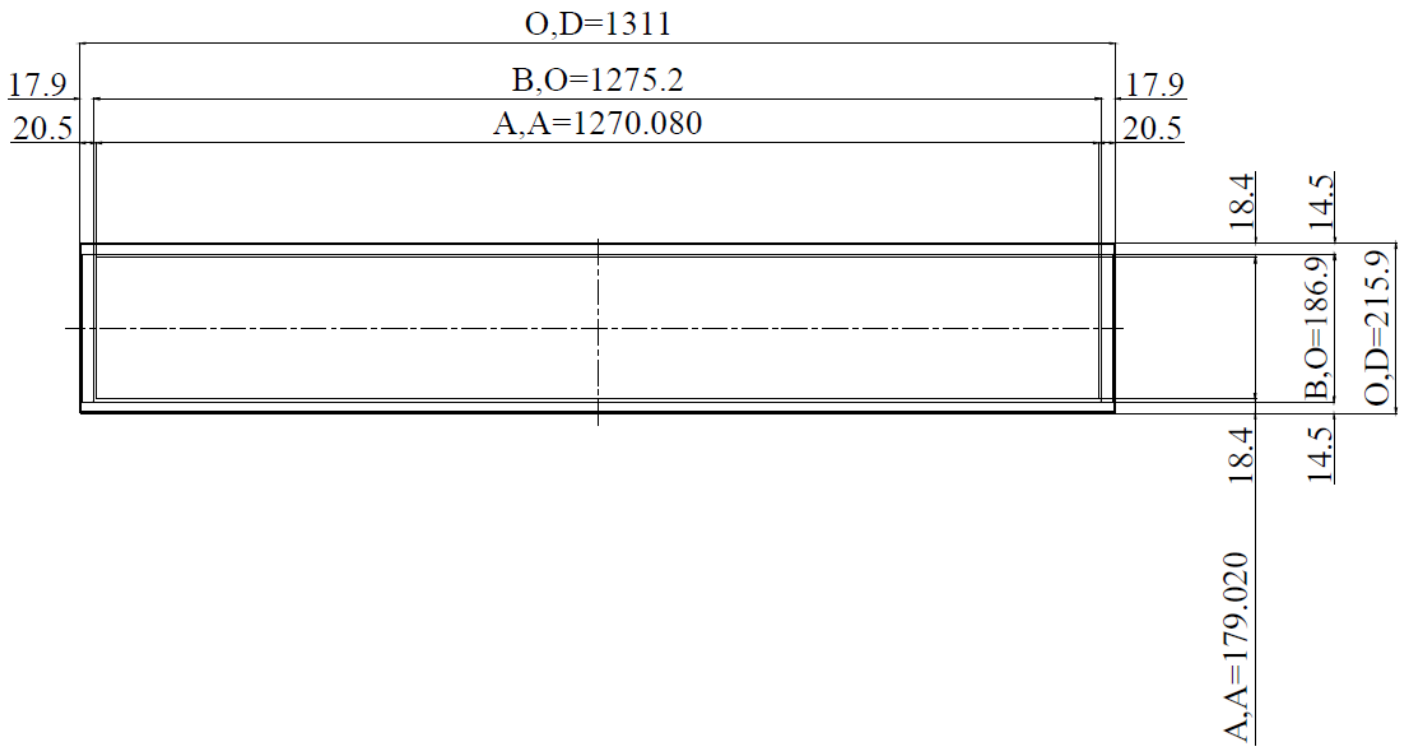
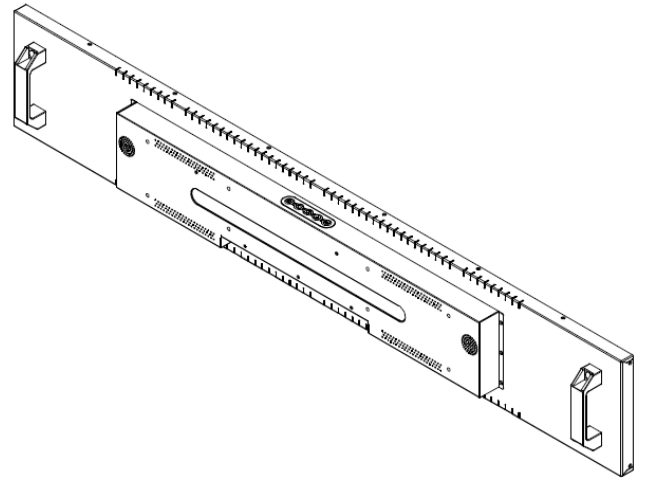
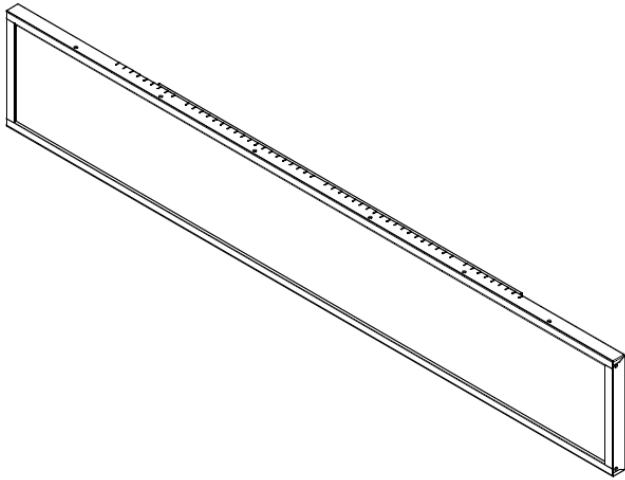
- Resizing LCD
- Ultra-Wide Screen (16 : 2.2)
- High Brightness 1000 nits
- Sunlight Readable
- LED Backlight
- Slim Bezel
- BL MTBF: 100,000 hours

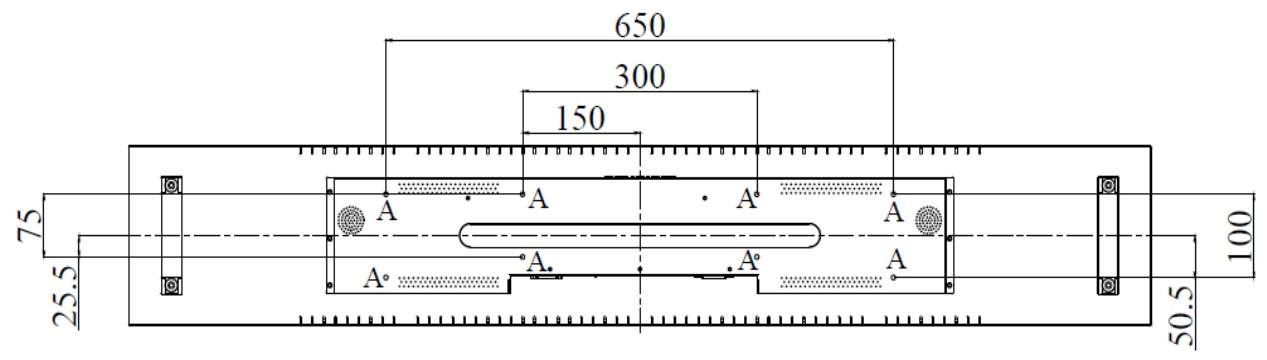
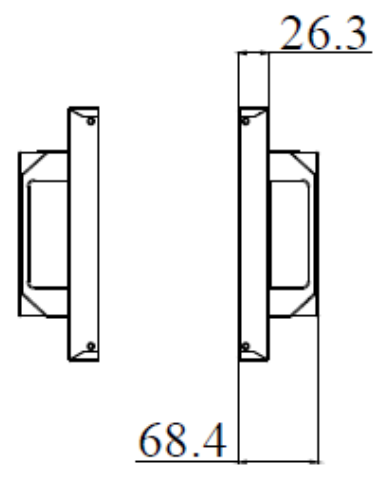
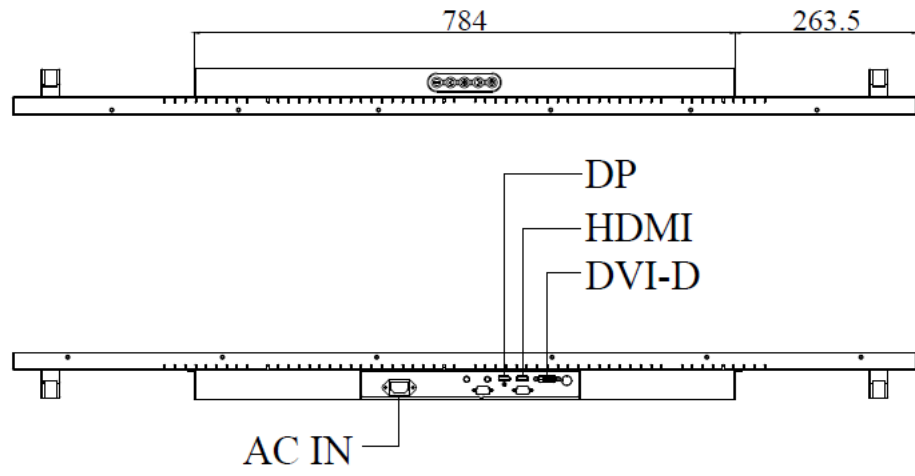
SPECIFICATIONS

Model No.	SSD5055-I
Description	50.5" Resizing LCD, 1000 nits LED backlight, 3840x536
Display Area (mm)	1270.080(H) x 179.020(V)
Brightness	1000 cd/m ²
Resolution	3840x536
Aspect Ratio	16 : 2.2
Contrast Ratio	5400 : 1
Pixel Pitch (mm)	0.33075(H) x 0.334(V)
Pixel Per Inch (PPI)	77
Viewing Angle	178°(H), 178°(V)
Color Saturation (NTSC)	83%
Display Colors	1.07G
Response Time (Typical)	9.5ms
Panel Interface	V-by-One
Input Interface	DVI-D, HDMI, DP
Input Power	AC100~240V
Power Consumption	62W
OSD Key	5 Keys (Power Switch, Menu, +, -, Exit)
OSD Control	Brightness, Color, Contrast, Auto Turing, H/V Position...etc
Dimensions (mm)	1311 x 215.9 x 68.4
Bezel Size(U/B/L/R)	18.4/18.4/20.5/20.5 mm
Weight (Net)	14 kg
Mounting	300x100, 650x100
Operating Temperature	0 °C ~ 50 °C
Storage Temperature	-20 °C ~ 60 °C

*Specifications are subject to change without notice. **All brands or product names are trademarks or registered trademarks of their respective companies.

SSD= Panel + LED Driving Board + AD Control Board + Chassis





NOTE :
 O.D. : OUTLINE DIMENSION
 B.O. : BEZEL OPENING
 A.A. : LCD ACTIVE AREA
 A : 8-M6_USER HOLE_MAX Depth=8mm