

SSF/SSH1624-B

16.3" LCD, 350nits, LED backlight, 1366x238 ultra-wide aspect ratio 16:2.8

The SSF/SSH1624-B is a 16.3 inch color TFT-LCD display with a special aspect ratio of 16:2.8 and wide resolution of 1366 x 238. It is a part of Litemax's Spanpixel series designed for high brightness with its 350 nits and its power efficiency LED backlight. This unique aspect ratio and sunlight readability make it great for digital signage, public transportation, exhibition halls, department stores, vending machines, and other applications.



KEY FEATURES

- Resizing LCD
- Ultra Wide Screen 16:2.8
- LED Backlight
- Brightness 350nits
- Low Power Consumption
- BL MTBF: 100,000 hours

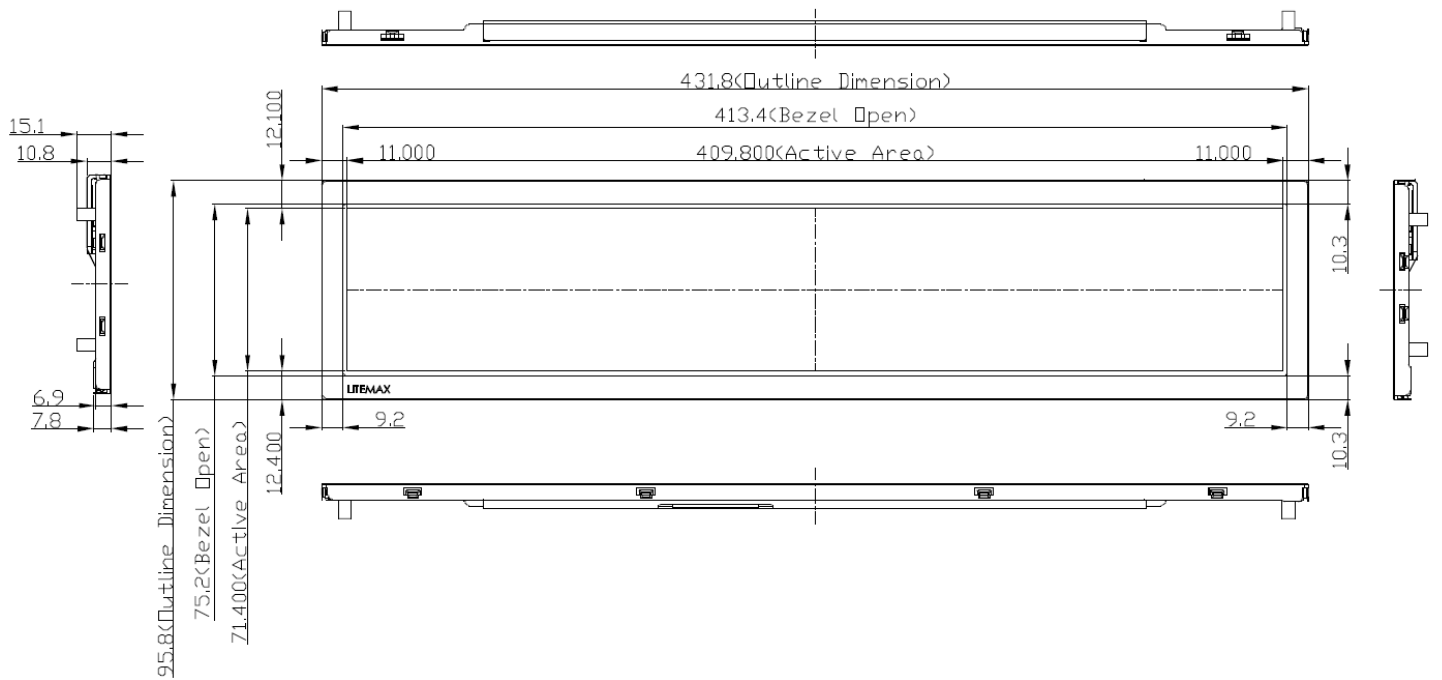
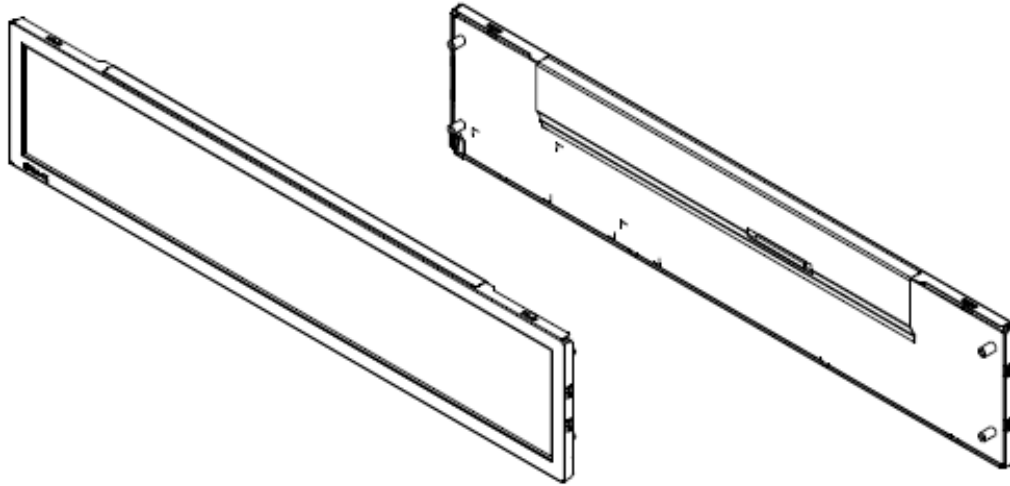
SPECIFICATIONS

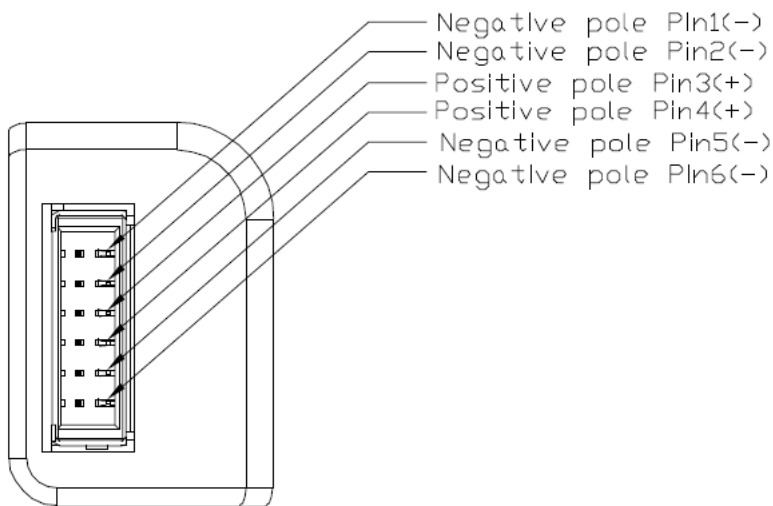
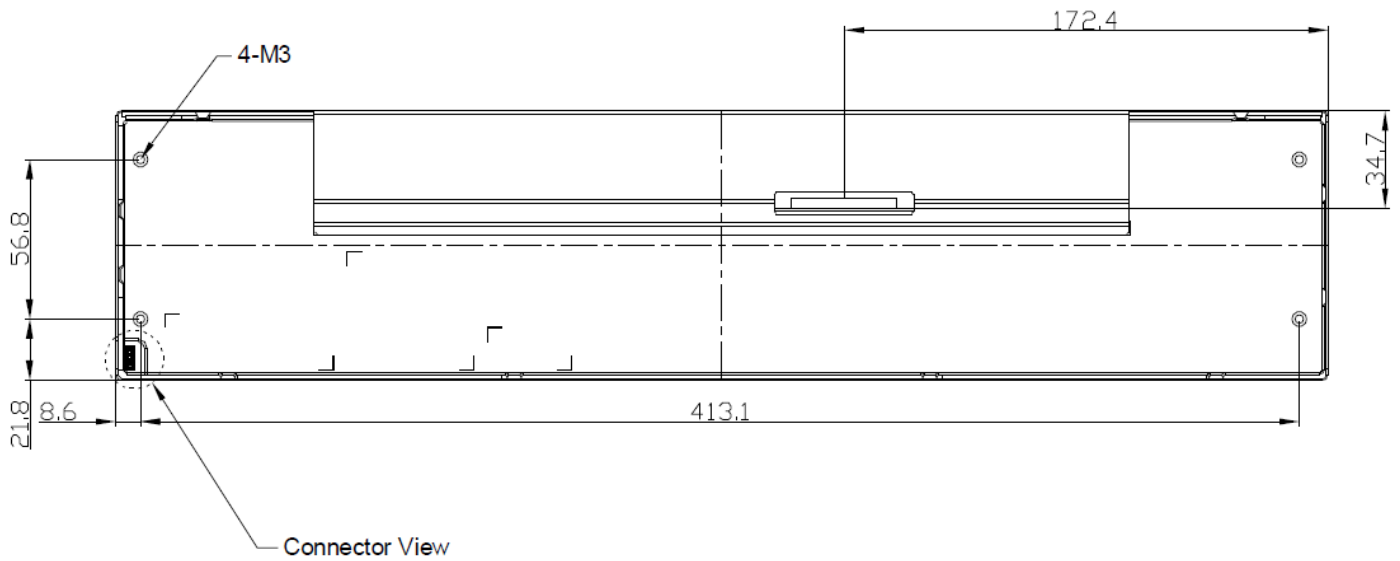
Model No.	SSF/SSH11624-B
Description	16.3" TFT LCD, 350nits LED backlight , 1366x238
Display Area (mm)	409.800(H) x 71.400(V)
Brightness	350 cd/m ²
Resolution	1366x238
Aspect Ratio	16 : 2.8
Contrast Ratio	1000 : 1
Pixel Pitch (mm)	0.300(H) x 0.300(V)
Pixel Pre Inch (PPI)	84
Viewing Angle	178°(H),178°(V)
Color Saturation (NTSC)	77%
Display Colors	16.7M
Response Time (Typical)	16ms
Panel Interface	LVDS
AD Board Input Interface	VGA, DVI-D, HDMI
Input Power	DC12V
Power Consumption	7.2W, 8.8W (with AD board)
OSD Key	4 Keys (Power Switch, Menu, +, -)
OSD Control	Brightness, Color, Contrast, Auto Turing, H/V Position...etc
Dimensions (mm)	431.8(H) x 95.8(V) x 15.1(T)
Bezel Size(U/B/L/R)	12.1/12.4/11/11 mm
Weight (Net)	0.5kg
Operating Temperature	0 °C ~ 50 °C
Storage Temperature	-20 °C ~ 60 °C

*Specifications are subject to change without notice. **All brands or product names are trademarks or registered trademarks of their respective companies.

SSF= Panel + LED Driving Board

SSH= Panel + LED Driving Board + AD Control Boards





Connector View
SCALE 10 : 1

Note :

1. THE DIMENSION EXCLUDES DEFORMATION.
2. LED B/L CONNECTOR : H112K-P06N-00B OR COMPATIBLE.
3. I/F CONNECTOR TO BE JAE FI-X30H OR EQUIVALENT.
4. M3 USER HOLE SCREW TORQUE 3.0 kgf- cm MAX , HOLE Depth 7.5mm Max.