

SSF/SSH1725-B

17.2" LCD, 1000nits, LED backlight, 1366x510 ultra-wide aspect ratio 16:6

The SSF/SSH1725-B is a 17.2 inch color TFT-LCD display with a special aspect ratio of 16.6 and wide resolution of 1366 x 510. It is a part of Litemax's Spanpixel series designed for high brightness with its 1000 nits and its power efficiency LED backlight. This unique aspect ratio and sunlight readability make it great for digital signage, public transportation, exhibition halls, department stores, vending machines, and other applications.



KEY FEATURES

- Resizing LCD
- Ultra Wide Screen 16:6
- LED Backlight
- Brightness 1000nits
- Low Power Consumption
- BL MTBF: 100,000 hours

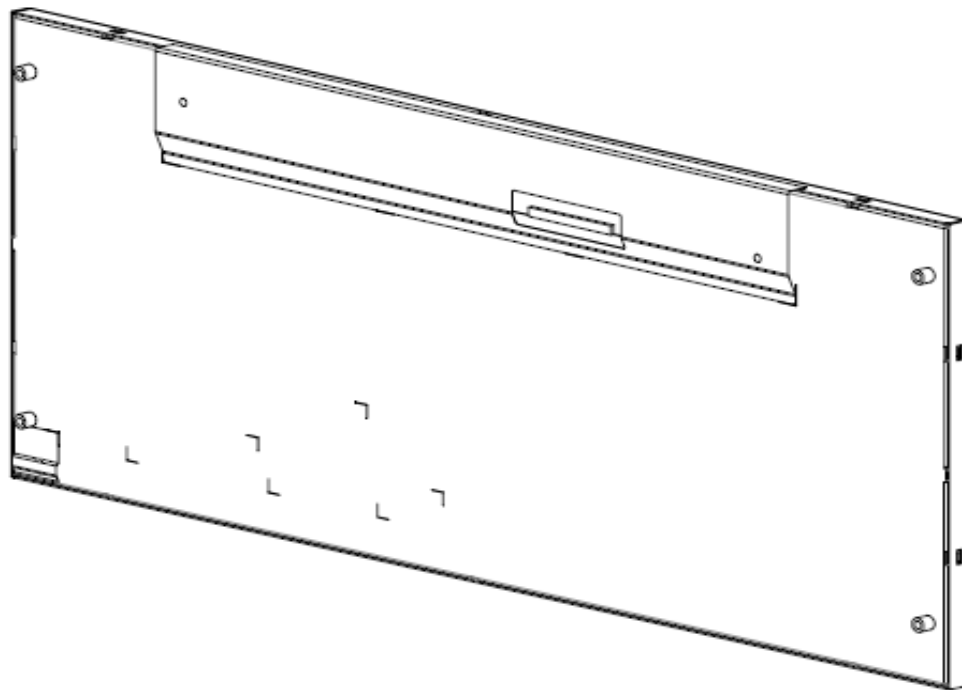
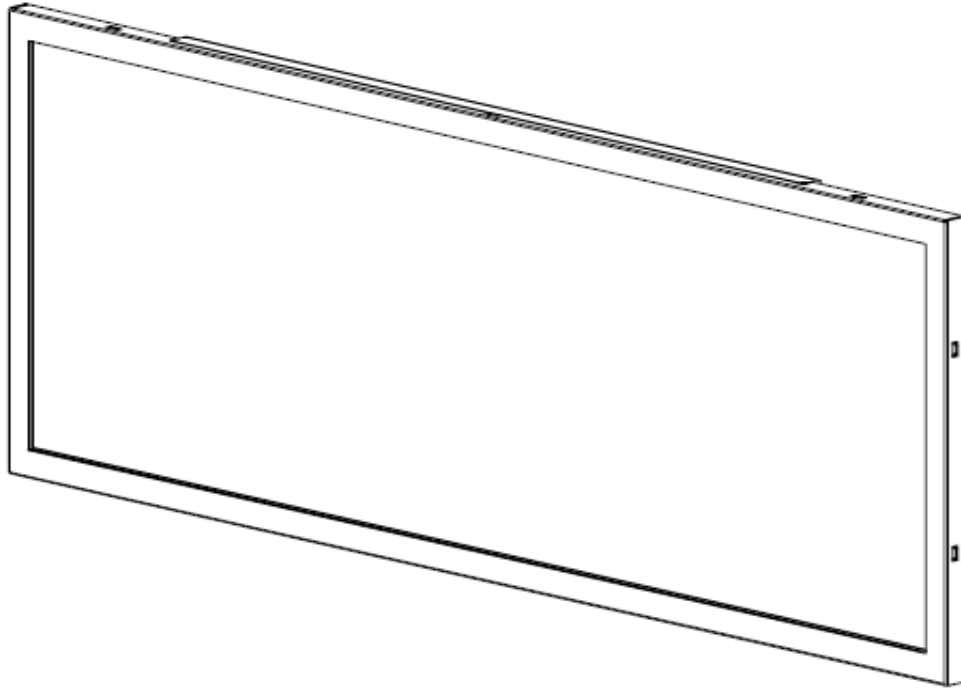
SPECIFICATIONS

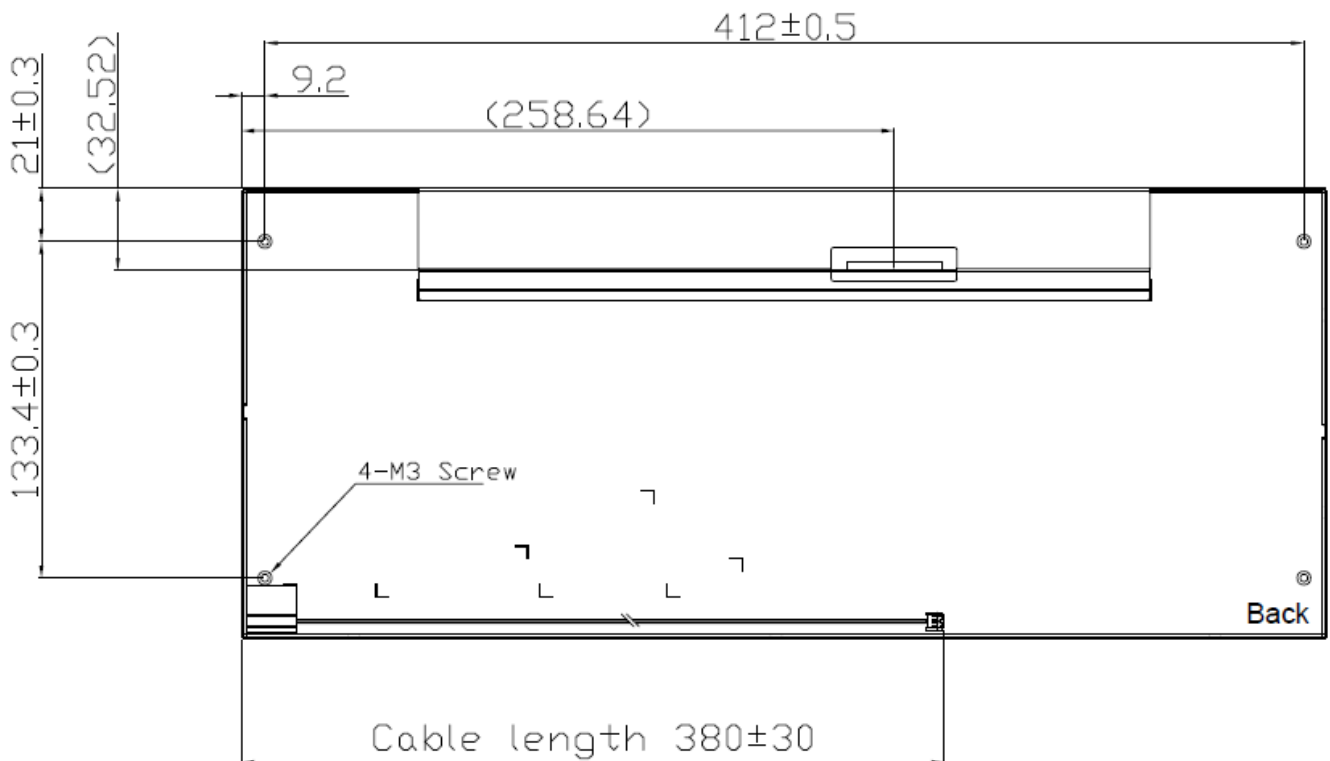
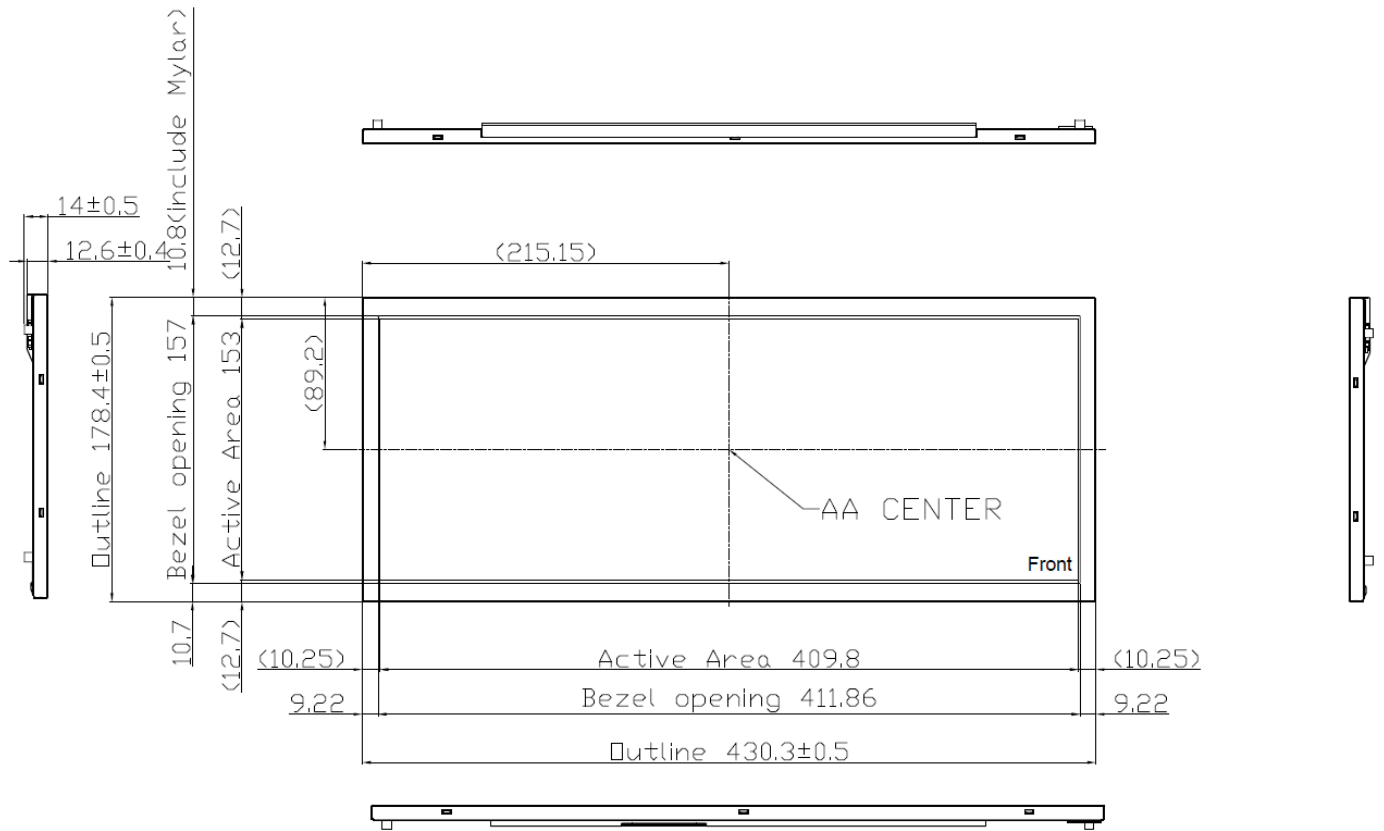
Model No.	SSF/SSH1725-B
Description	17.2" TFT LCD, 1000nits LED backlight , 1366x510
Display Area (mm)	409.8(H) x 153(V)
Brightness	1000 cd/m ²
Resolution	1366x510
Aspect Ratio	16 : 6
Contrast Ratio	850 : 1
Pixel Pitch (mm)	0.300(H) x 0.300(V)
Pixel Pre Inch (PPI)	84
Viewing Angle	178°(H),178°(V)
Color Saturation (NTSC)	79%
Display Colors	16.7M
Response Time (Typical)	16ms
Panel Interface	LVDS
AD Board Input Interface	DVI-I, HDMI, DP
Input Power	DC12V
Power Consumption	16.7W, 17.4W (with AD board)
OSD Key	4 Keys (Power Switch, Menu, +, -)
OSD Control	Brightness, Color, Contrast, Auto Turing, H/V Position...etc
Dimensions (mm)	430.3x178.4x14
Bezel Size(U/B/L/R)	12.7/12.7/10.25/10.25 mm
Weight (Net)	1Kg
Operating Temperature	0 °C ~ 50 °C
Storage Temperature	-20 °C ~ 60 °C

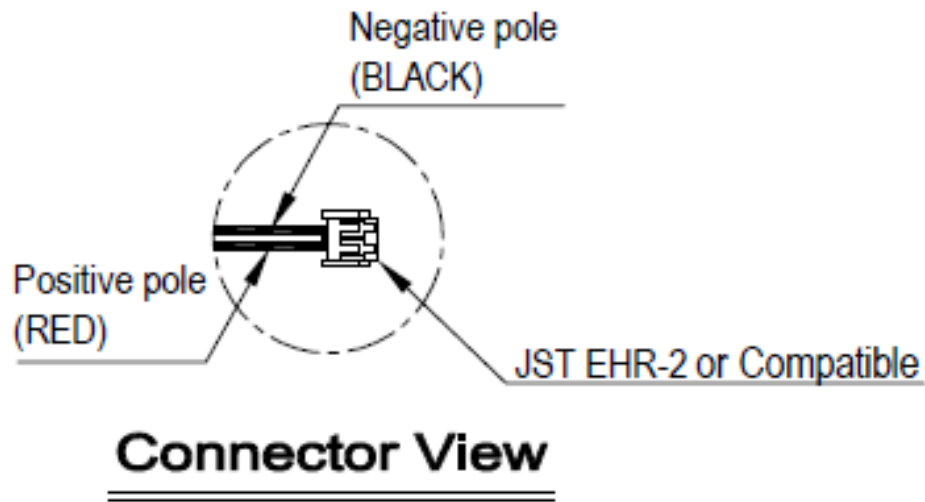
*Specifications are subject to change without notice. **All brands or product names are trademarks or registered trademarks of their respective companies.

SSF= Panel + LED Driving Board

SSH= Panel + LED Driving Board + AD Control Boards







Note :

1. Tolerance is $\pm 0.5\text{mm}$ unless noted.
2. "()" marks the reference dimension.
3. Connector type: I/F Connector to be JAE FI-X30HL or compatible.
4. Allowed depth of user hole for M3 screw is 4.5mm Max.