

SSF3705-Y / SSH3705-Y V2

37" LCD, 1000 nits LED backlight, 1920 x 540 ultra-wide aspect ratio 16:4.5

The SSF/SSH3705-Y is a 37 inch color TFT-LCD display with a special aspect ratio of 16:4.5 and wide resolution of 1920 x 540. It is a part of Litemax's Spanpixel series designed for high brightness with its 1000 nits and its power efficiency LED backlight. This unique aspect ratio and sunlight readability make it great for digital signage, public transportation, exhibition halls, department stores, vending machines, and other applications.



KEY FEATURES

- Ultra-Wide Screen (16 : 4.5)
- High Brightness 1000 nits
- Sunlight Readable
- LED Backlight
- Slim Bezel
- BL MTBF: 70,000 hours

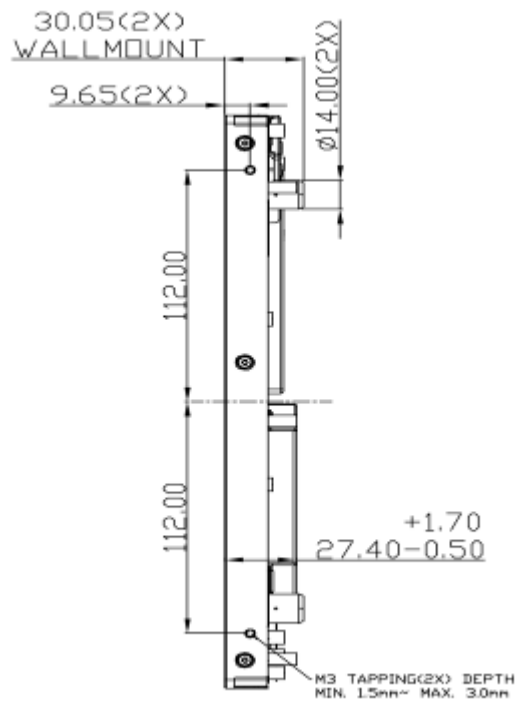
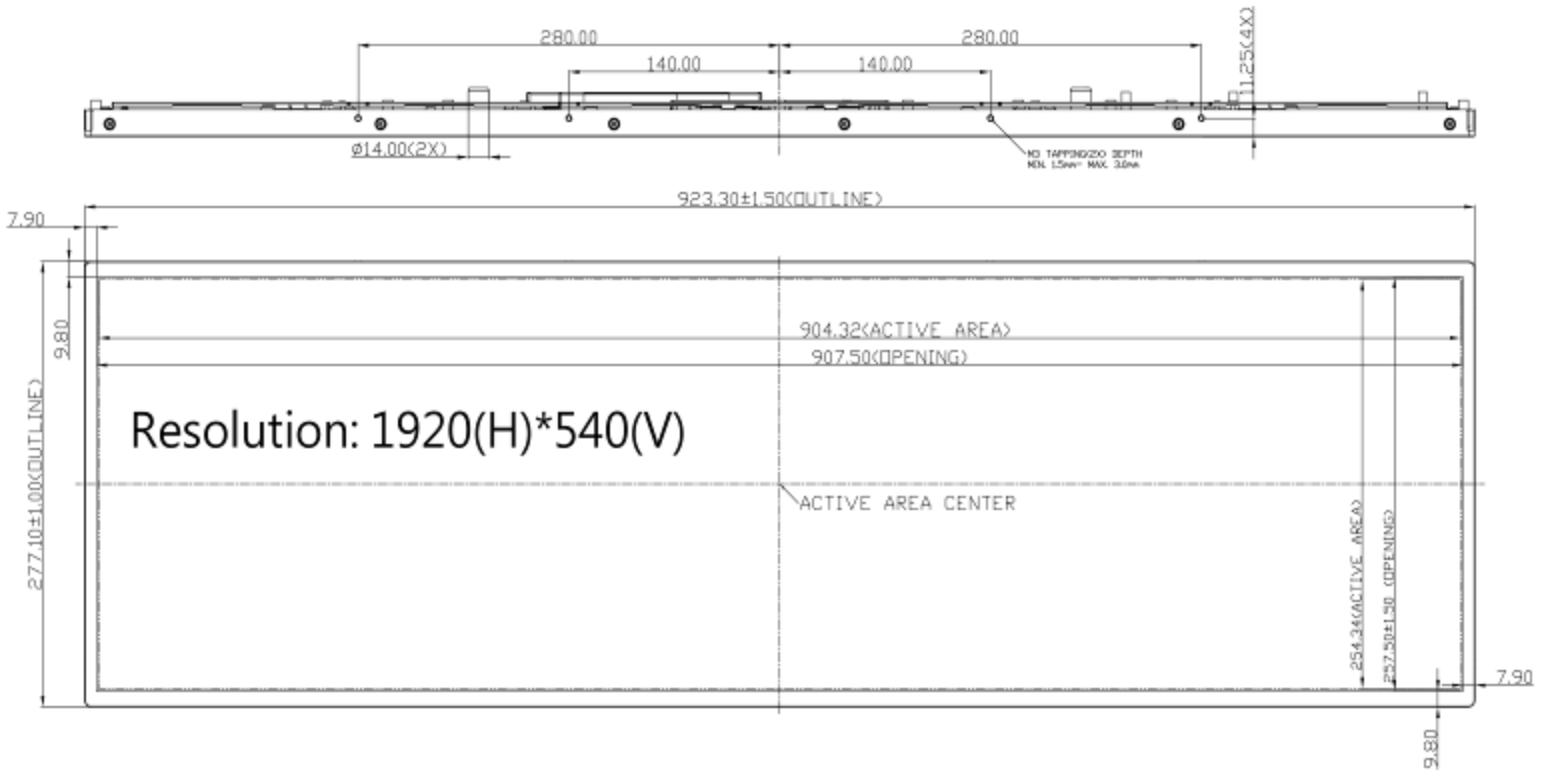
SPECIFICATIONS

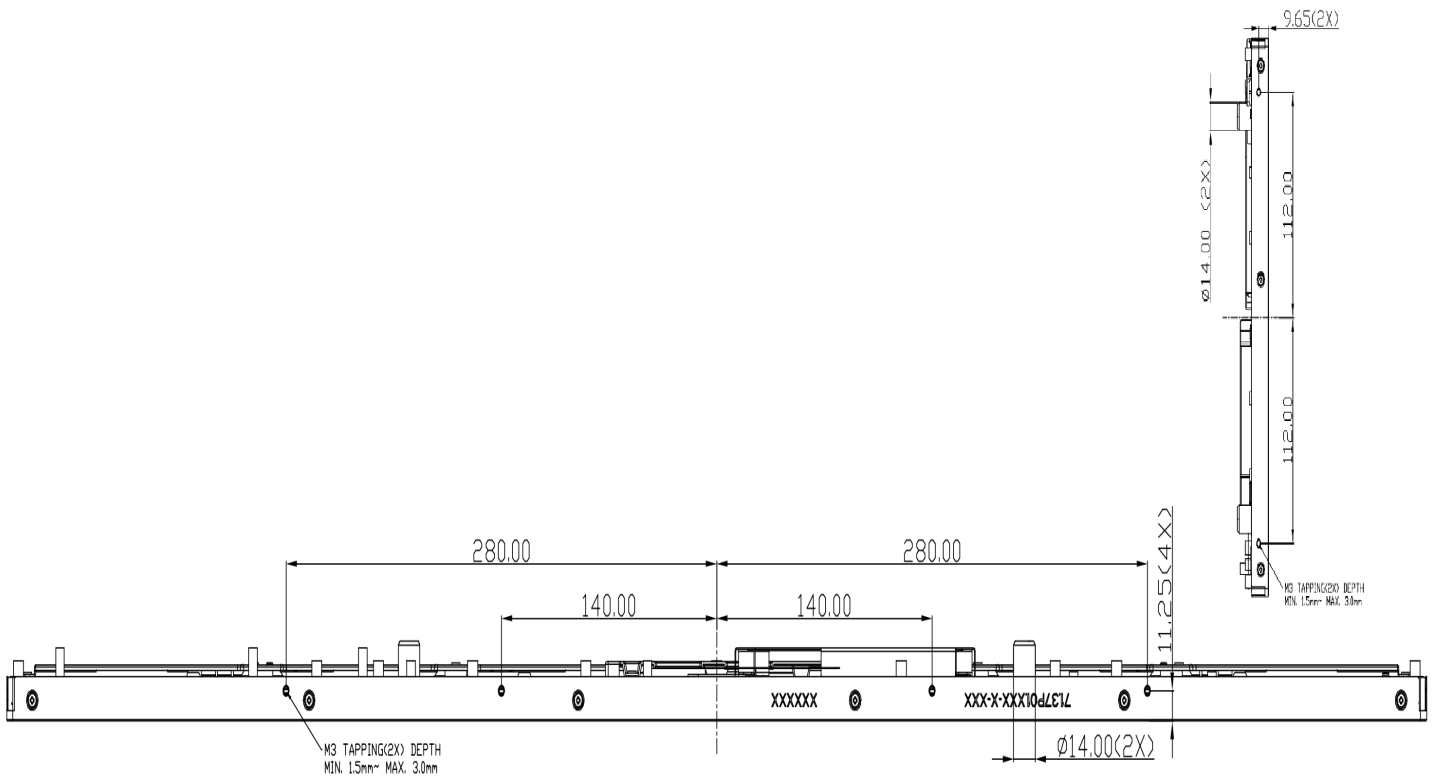
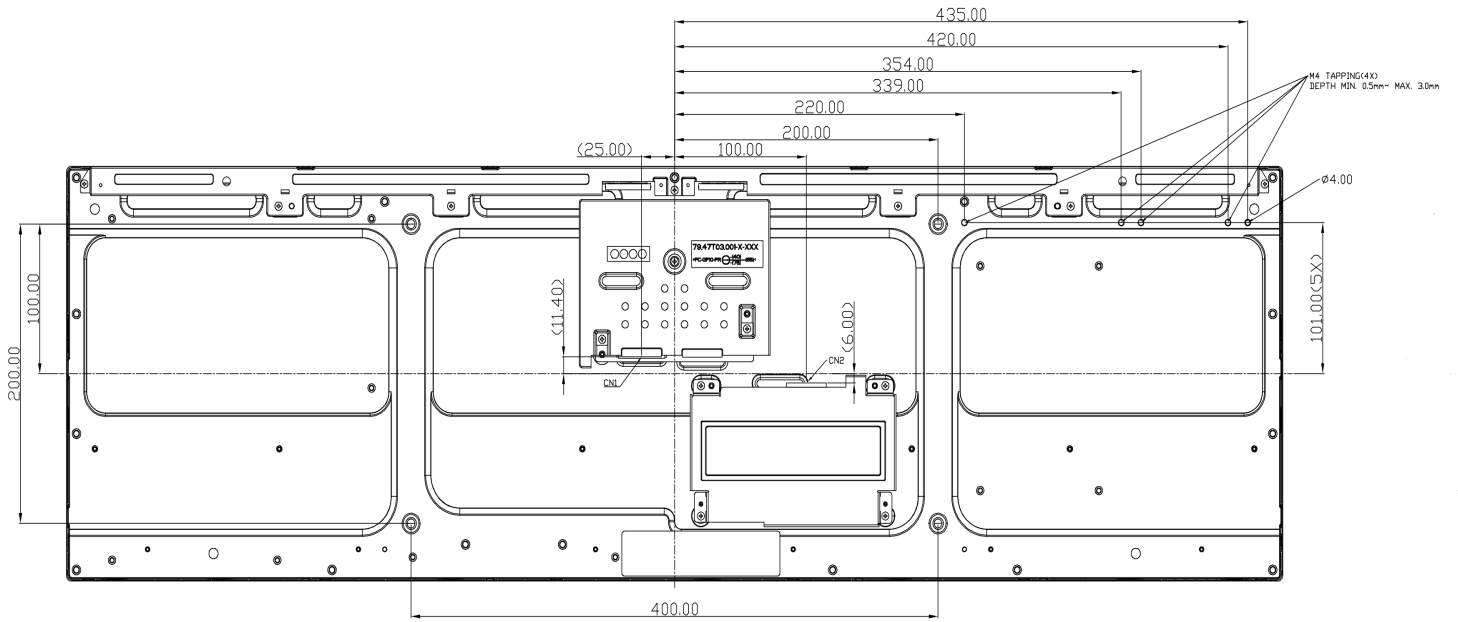
Model No.	SSF3705-Y / SSH3705-Y V2
Description	37" LCD, 1000 nits LED backlight, 1920x540
Display Area (mm)	904.32(H) x 254.34(V)
Brightness	1000 cd/m ²
Resolution	1920x540
Aspect Ratio	16 : 4.5
Contrast Ratio	5600 : 1
Pixel Pitch (mm)	0.47(H) x 0.47(V)
Pixel Per Inch (PPI)	54
Viewing Angle	178°(H), 178°(V)
Color Saturation (NTSC)	84%
Display Colors	16.7M
Response Time (Typical)	6.5ms
Panel Interface	LVDS
Input Interface	DVI-I, HDMI, DP
Input Power	AC100~240V
Power Consumption	59W (63W with AD Board)
OSD Key	4 Keys (Power Switch, Menu, +, -)
OSD Control	Brightness, Color, Contrast, Auto Turing, H/V Position...etc
Dimensions (mm)	923.3x 277.1 x 30
Bezel Size(U/B/L/R)	9.8/9.8/7.9/7.9 mm
Weight (Net)	4.7 kg
Operating Temperature	0 °C ~ 50 °C
Storage Temperature	-20 °C ~ 60 °C

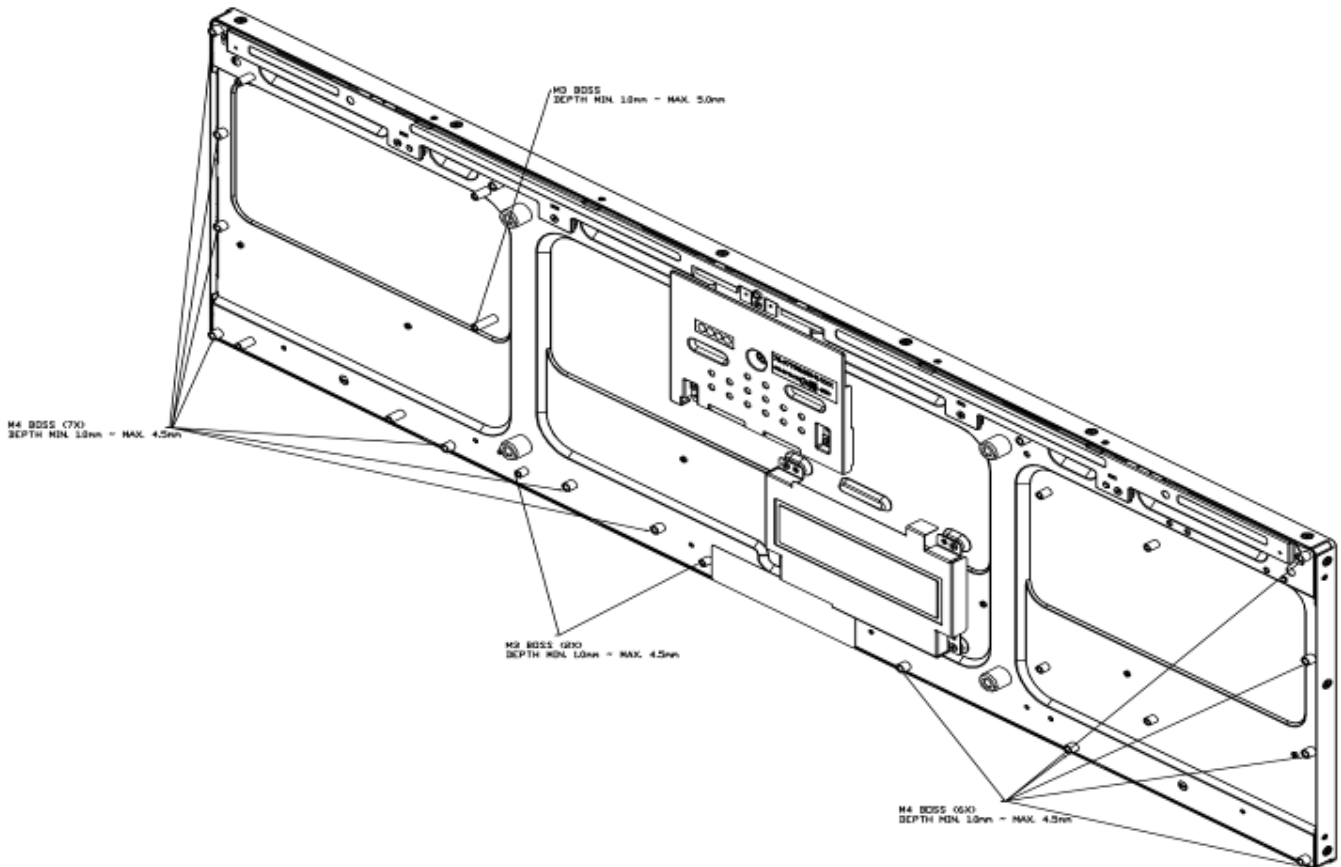
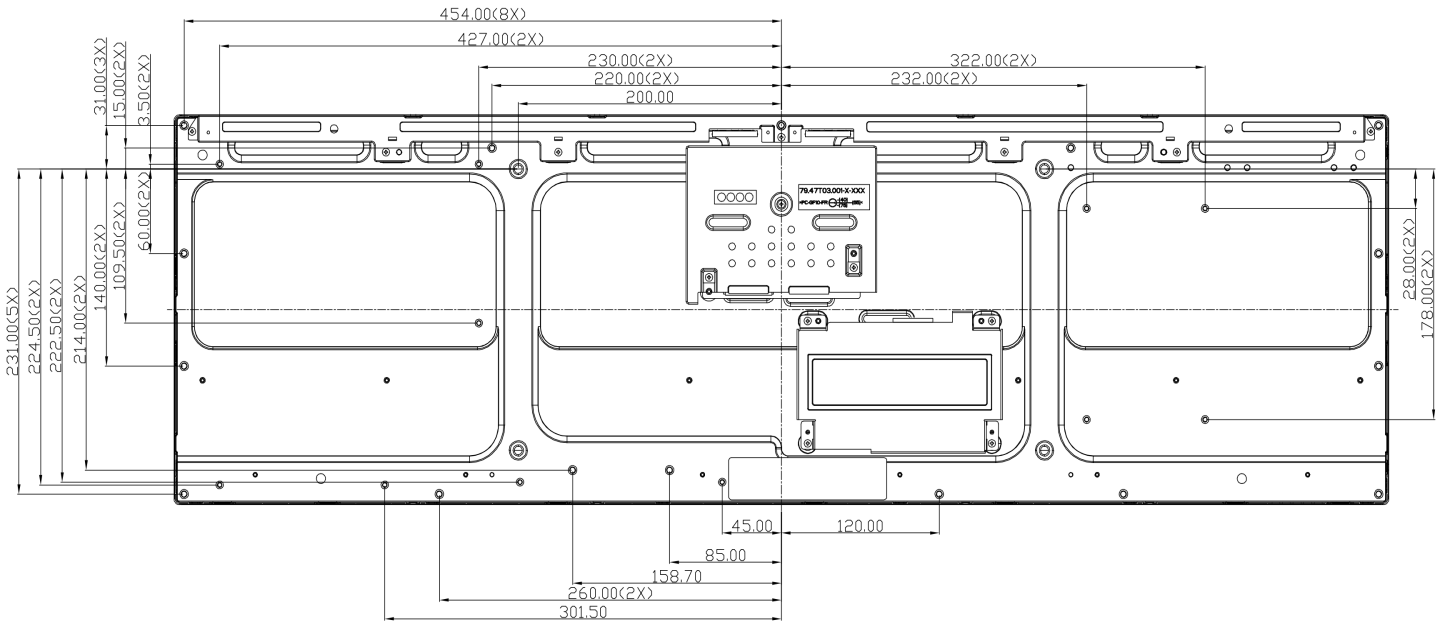
*Specifications are subject to change without notice. **All brands or product names are trademarks or registered trademarks of their respective companies.

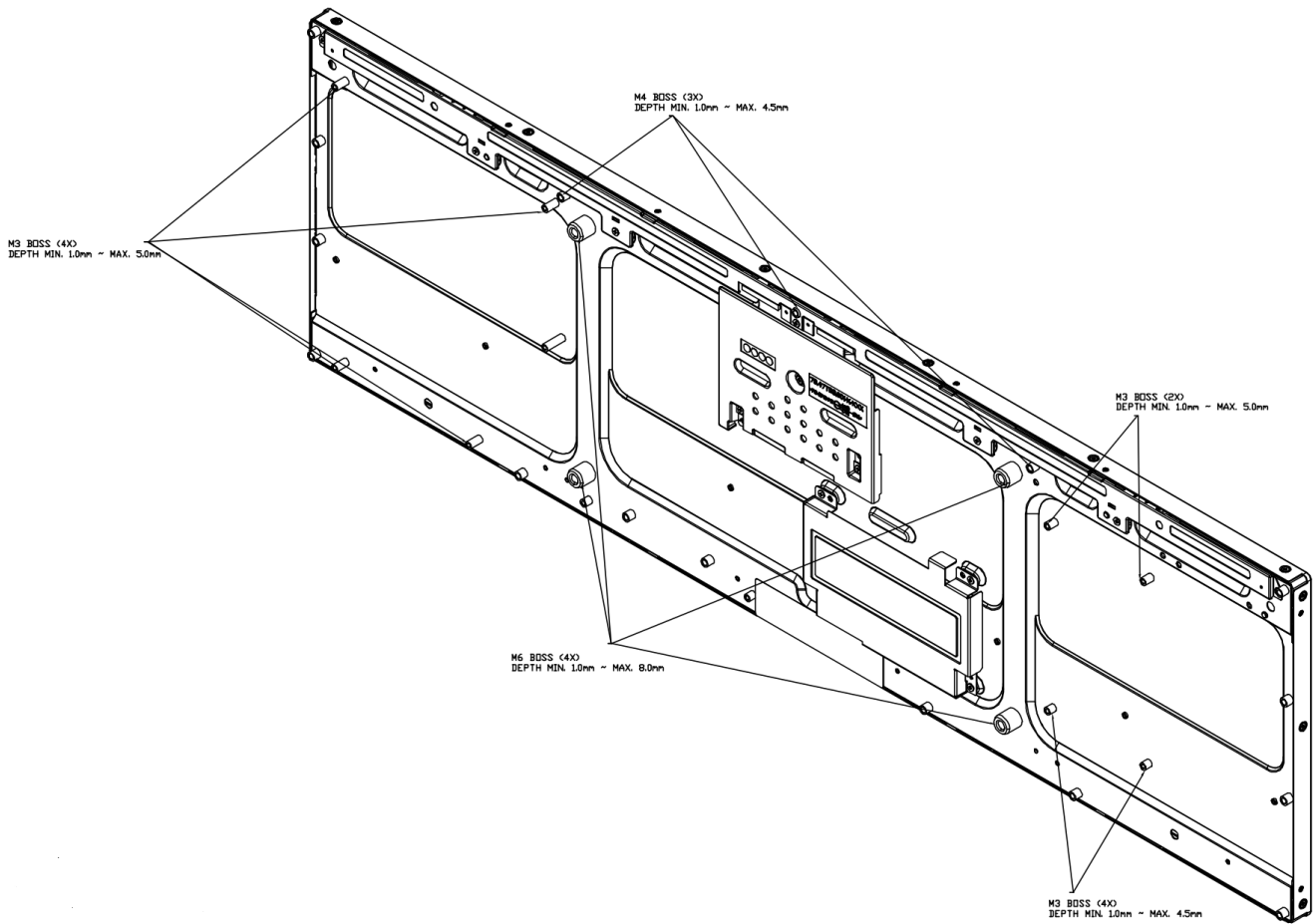
SSF= Panel + LED Driving Board

SSH= Panel + LED Driving Board + AD Control Boards









Note :

- 1.CN1:JAE FI-RTE51SZ-HF
- 2.CN2: JST S14B-PHA-SM3-TB(HF)
- 3.UNSPECIFIED TOLERANCE IS 0.8mm
- 4.TOQUE OF M3 USER HOLE:7kgf-cm MAX.
- 5.TOQUE OF M4 USER HOLE:10kgf-cm MAX.
- 6.TOQUE OF M6 USER HOLE:16kgf-cm MAX.