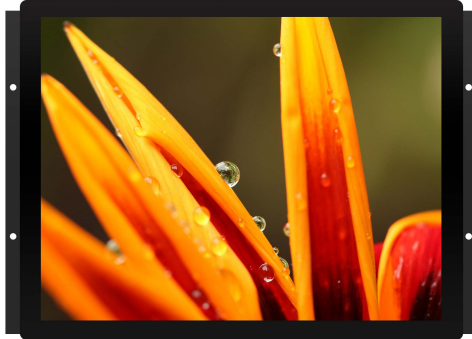


# DPD 1568-ITB-Q03

15" TFT LCD Monitor, LED Backlight 1,600nits, XGA (1024x768)

The DPD 1568-ITB-Q03 LCD multi-touch monitor has built-in 1600 nits high brightness for sunlight readability. The high level of brightness together with the optimal contrast ratio renders high quality images and enhances legibility. With its fast response time and LED backlight technology, the monitor brings remarkable display quality and durability for your applications. It is suitable for marine, military, medical, transportation, industrial and kiosk applications.



## KEY FEATURES

- Brightness: 1600nits
- PCAP Touchscreen
- LED Backlight
- XGA (1024x768) High Definition
- High Shock & Vibration Resistance
- Low Power Consumption
- Auto-Brightness Sensor
- Low EMI Noise
- Wide Dimming

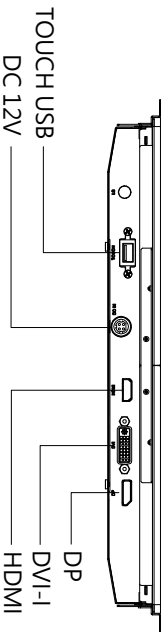
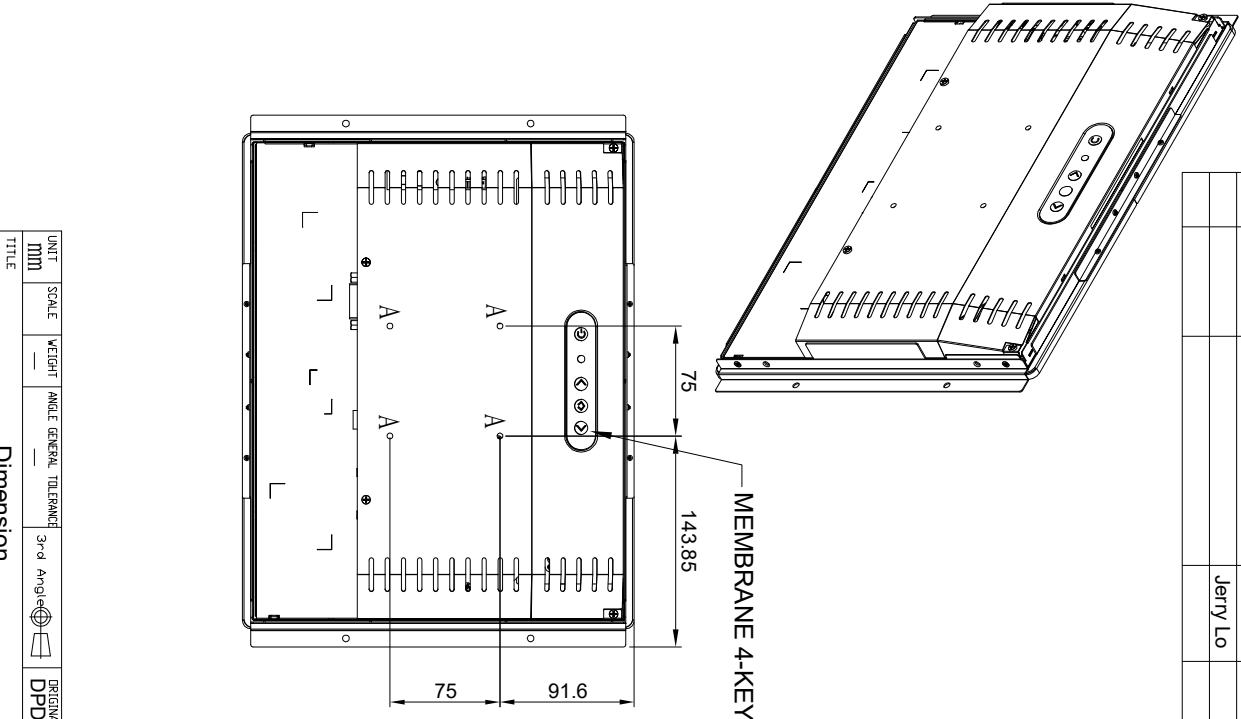
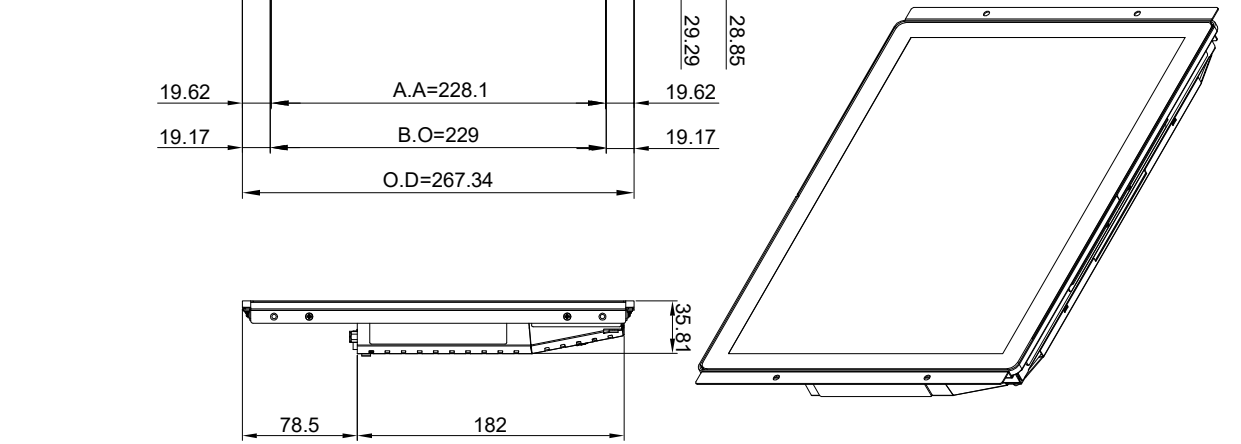
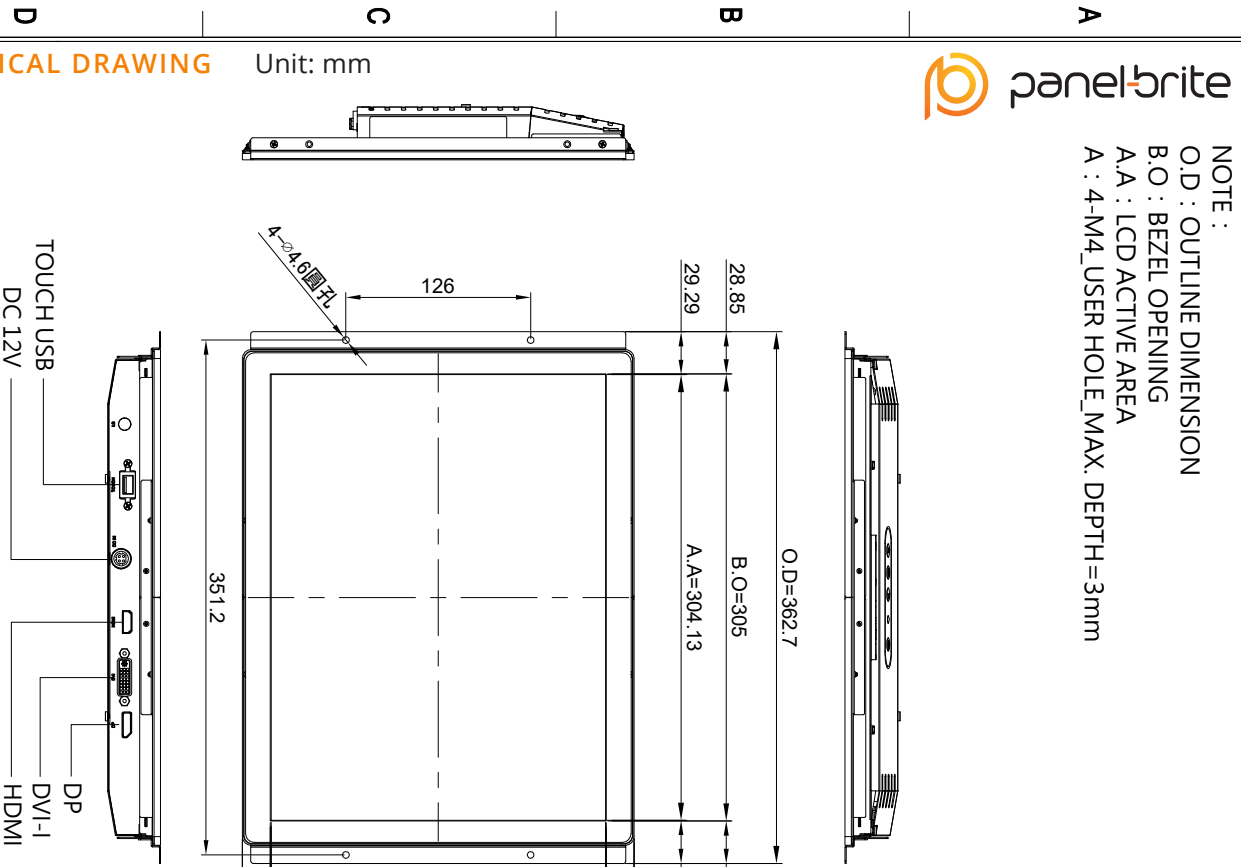
## SPECIFICATIONS

Model No.	DPD 1568-ITB-Q03
Description	15" TFT LCD Monitor, LED Backlight 1,600nits,XGA(1024x768)
Display Area (mm)	304.13(H) x 228.1(V) mm
Brightness	1600 cd/m <sup>2</sup>
Resolution	1024 x 768 (XGA)
Contrast Ratio	1000 : 1
Pixel Pitch (mm)	0.297(H) x 0.297(V)
Pixel Pre Inch (PPI)	85
Viewing Angle	+80°~-80°(H), +80°~-80°(V)
Color Saturation (NTSC)	69%
Display Colors	16.7M
Response Time (Typical)	8ms
Operating Temperature	-20°C ~ 70°C
Storage Temperature	-30°C ~ 80°C
Power Consumption	17W
Dimensions (mm)	362.7x267.34x35.81mm
Weight (Net)	1.6kg
LED Driving Board	LID15A
Control Board (Optional)	<input type="checkbox"/> AD8991DHP
<input type="checkbox"/> AD Board Inputs	DVI+HDMI+DP
F / R Control Button	<input type="checkbox"/> 4 Key
<input type="checkbox"/> 4 Key	Power Switch, Menu, Select (+,-),
OSD Menu	Brightness, Contrast, H/V Position, Color, Phase, Clock...
Optional	<input type="checkbox"/> AOT

\*Specifications are subject to change without notice. \*\*All brands or product names are trademarks or registered trademarks of their respective companies.

DPD = Panel+ LED Driving Board + Control Board + Housing

NOTE :  
 O.D : OUTLINE DIMENSION  
 B.O : BEZEL OPENING  
 A.A : LCD ACTIVE AREA  
 A : 4-M4\_USER HOLE\_MAX. DEPTH=3mm



MECHANICAL DRAWING Unit: mm

APPROVED	CHECKED	DESIGNED	LEVEL	General tolerance	±	SELECT	MATERIAL	CRITICAL DIMENSION	SPC DIMENSION
		Jack_Yang	DIM.	1	2	3	FINISH		
			> 0 ~ 4	0.05	0.1	0.2			
			> 4 ~ 14	0.05	0.1	0.2			
			> 14 ~ 43	0.1	0.2	0.3			
			> 43 ~ 250	0.2	0.35	0.5			
			> 250 ~ 600	0.3	0.5	1			
			> 600 ~ 1000	0.3	0.5	3			

UNIT	SCALE	WEIGHT	ANGLE	GENERAL TOLERANCE	3rd Angle	ORIGINAL UNIT
mm						DPD1568

TITLE: Dimension

DESCRIPTION: BRAVING NO/PART NO: DPD1568-ITB-Q03

DATE: 2020/12/02

LibMax Electronic Inc. SIZE: A4 SH: 1-1 REV: V

REV	ECN NO.	DESCRIPTION	SIGN	DATE
			Jerry Lo	